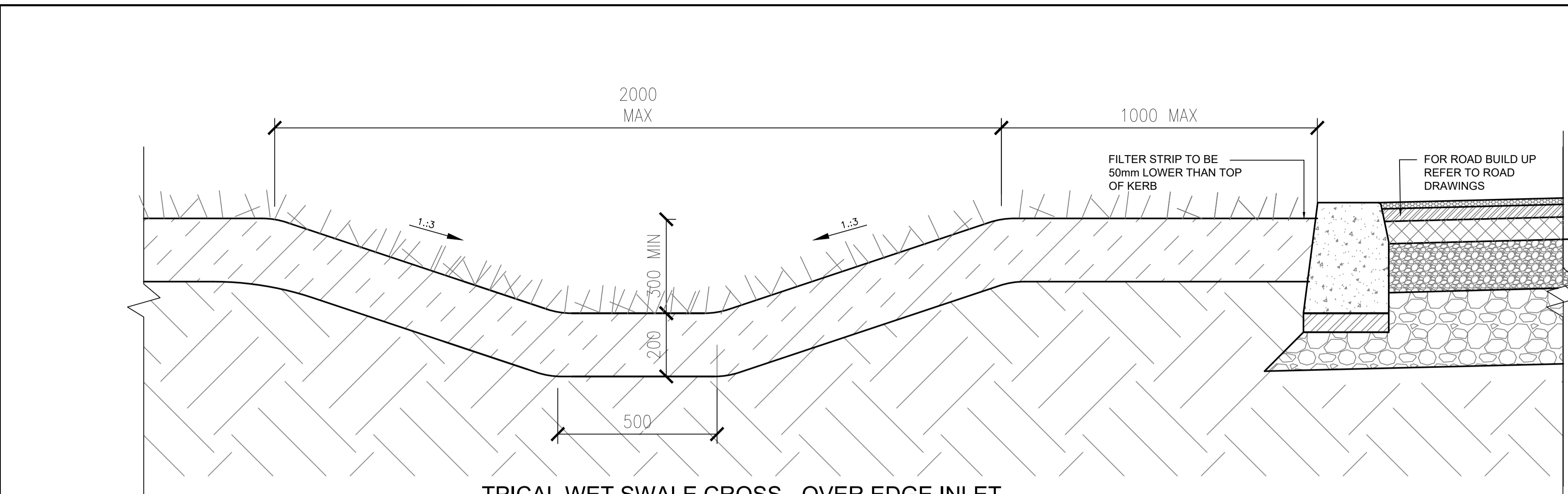


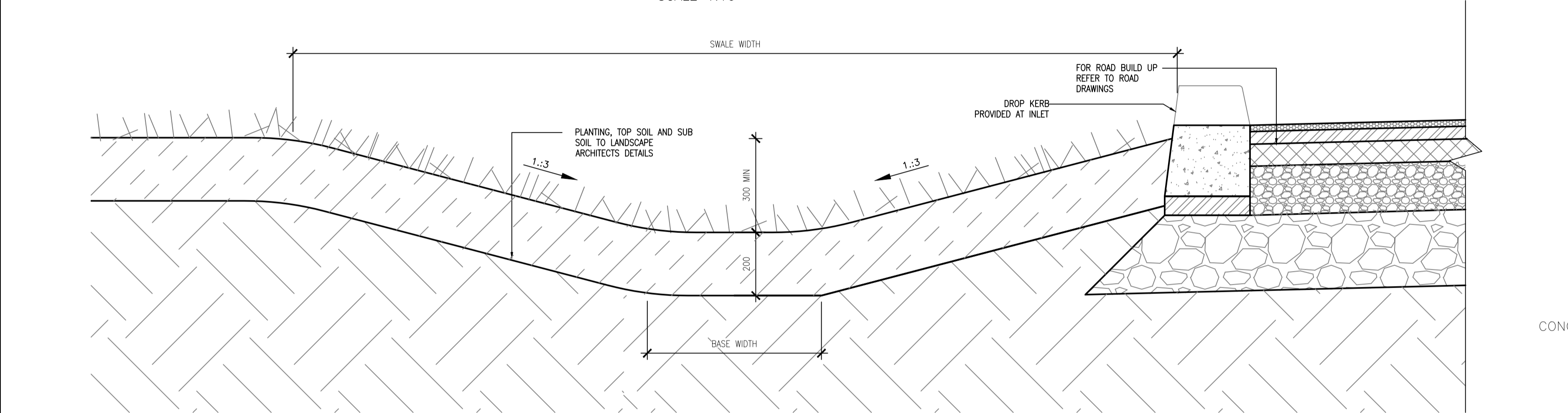
A1

DO NOT SCALE

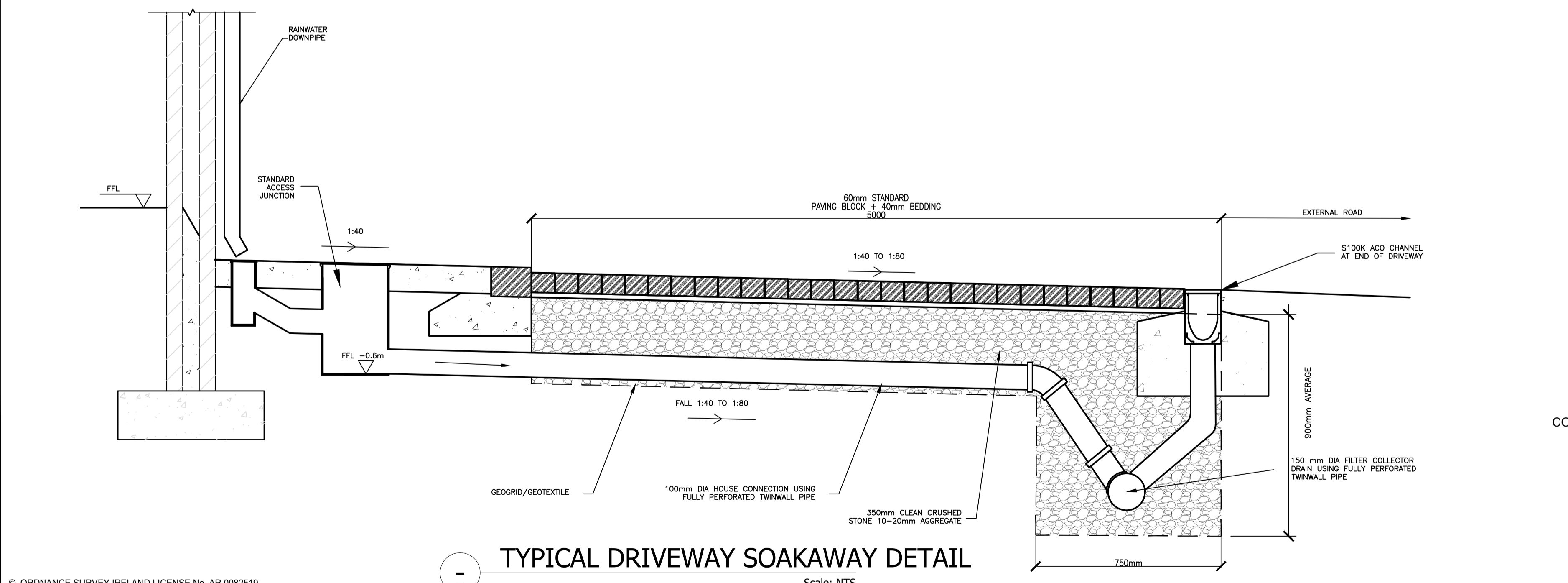
File: 5186693\_HTR\_01\_SD\_0003.dwg  
Date: Apr 07, 2022 - 12:41pm  
Plotted by: patrick.sheridan



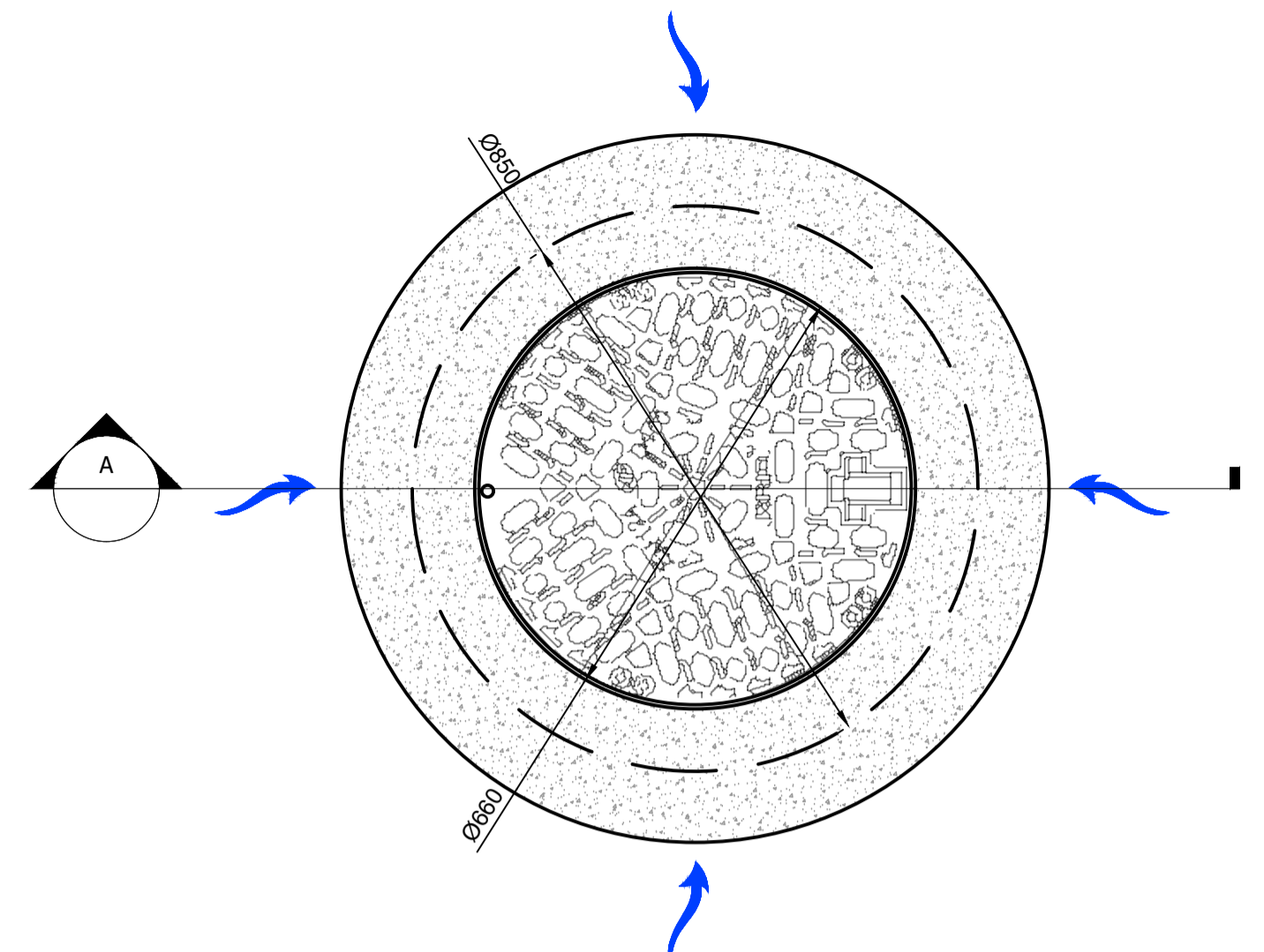
TYPICAL WET SWALE CROSS - OVER EDGE INLET  
SCALE 1:10



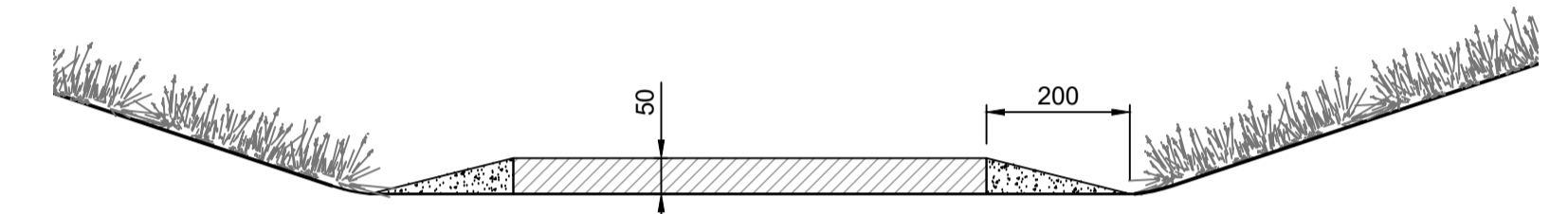
TYPICAL WET SWALE CROSS - DROP KERB INLET  
SCALE 1:10



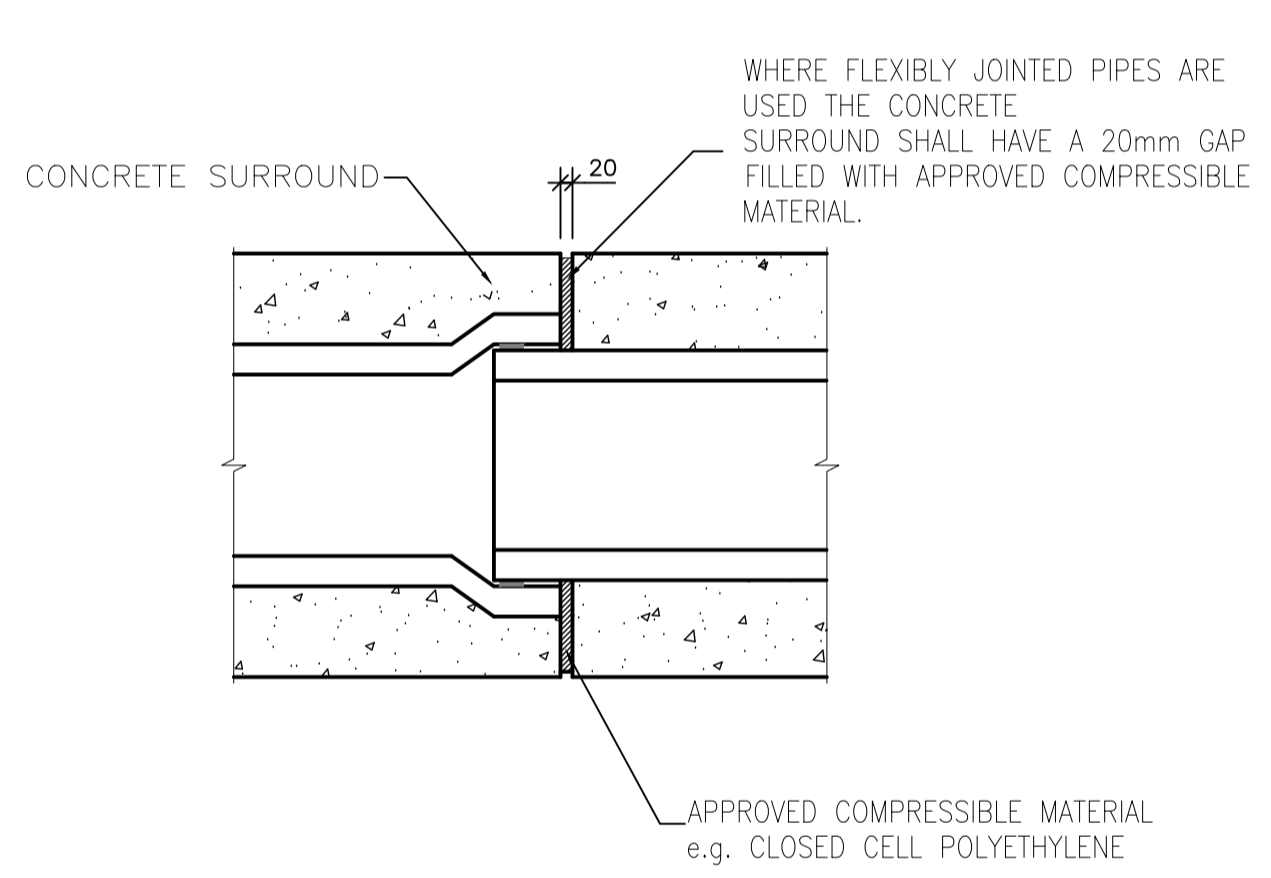
TYPICAL DRIVEWAY SOAKAWAY DETAIL  
Scale: NTS



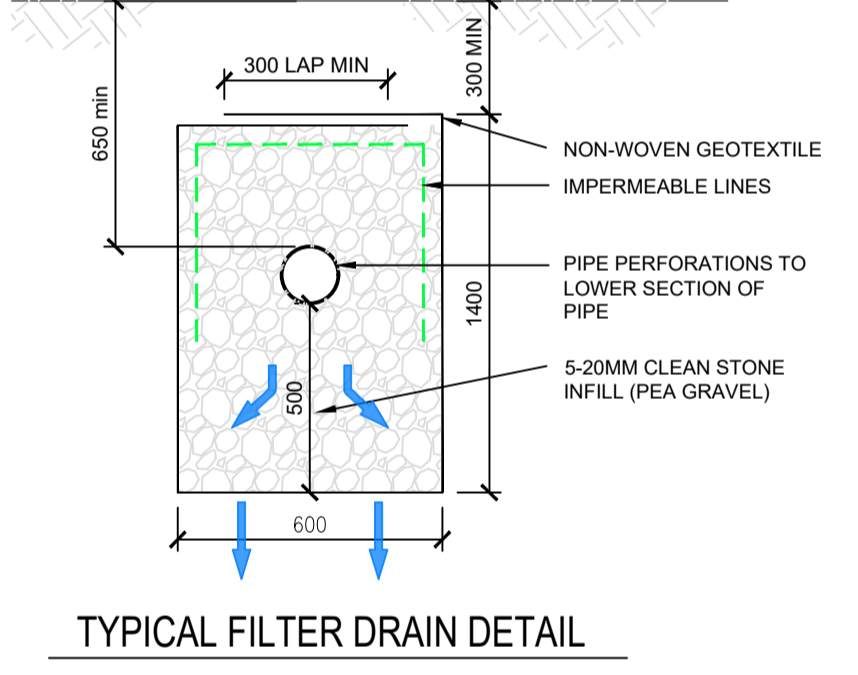
PERFORATED MANHOLE LID TYPICAL PLAN  
Scale at A1 1:10  
Scale at A3 1:20



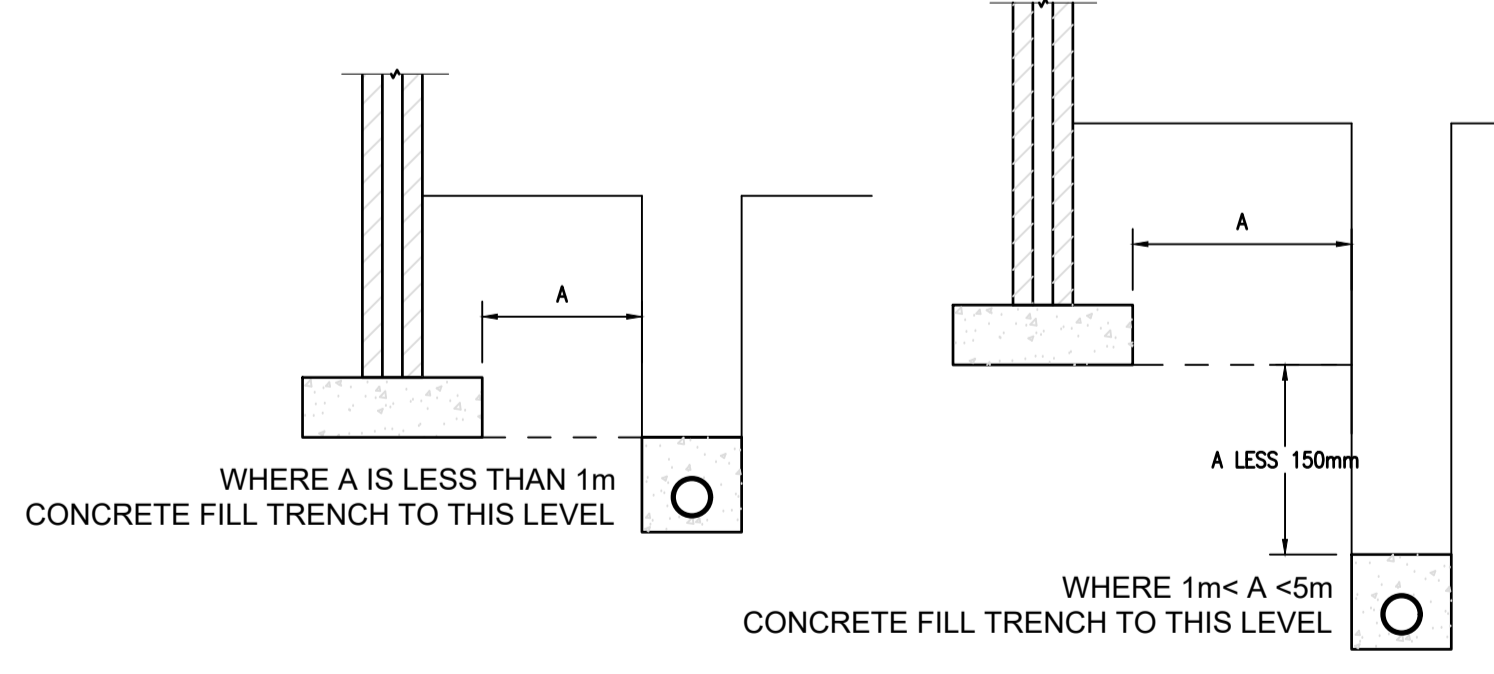
PERFORATED MANHOLE LID TYPICAL SECTION A



JOINT IN CONCRETE SURROUND



TYPICAL FILTER DRAIN DETAIL



CONCRETE SURROUND TO PIPE RUN  
NEAR BUILDINGS / FOUNDATIONS

© ORDNANCE SURVEY IRELAND LICENSE No. AR 0082518  
ORDNANCE SURVEY IRELAND & GOVERNMENT OF IRELAND

Rev	Description	By	Date	Chk'd	Auth
-	FOR PLANNING	PS	01.04.22	AC	GH

**SNC-LAVALIN**  
Member of the SNC-Lavalin Group

**ATKINS**  
Member of the SNC-Lavalin Group

Alkins House, 150-155 Ainslie Business Park, Swords, Co. Dublin  
Tel (+353) 01 810 8000 Fax (+353) 01 810 8001

Unit 2B, 2200 Cork Airport Business Park, Cork  
Tel (+353) 021 429 0300 Fax (+353) 021 429 0360

2nd Floor Technology House Parkmore Technology Park, Galway  
Tel (+353) 091 786 050 Fax (+353) 091 779 830

**Cosgrave**

**FASSAROE DEVELOPMENT**

Purpose	PLANNING						
Title	PHASE 1 STANDARD CONSTRUCTION DETAILS SHEET 3						
Original Scale	AS SHOWN	Design/Drawn	PS	Checked	AC	Authorized	GH
Date	22.11.21	Date	22.11.21	Date	22.11.21	Date	22.11.21
Status	P	Drawing Number	5186693 / HTR / 01 / SD / 0003		Rev	-	